

GMC SIERRA FRONT MUD GUARD - INSTALLATION INSTRUCTIONS

Please read instructions thoroughly before installation.

Tools Required

- TX 15 Torx wrench
- Phillips Head Screwdriver

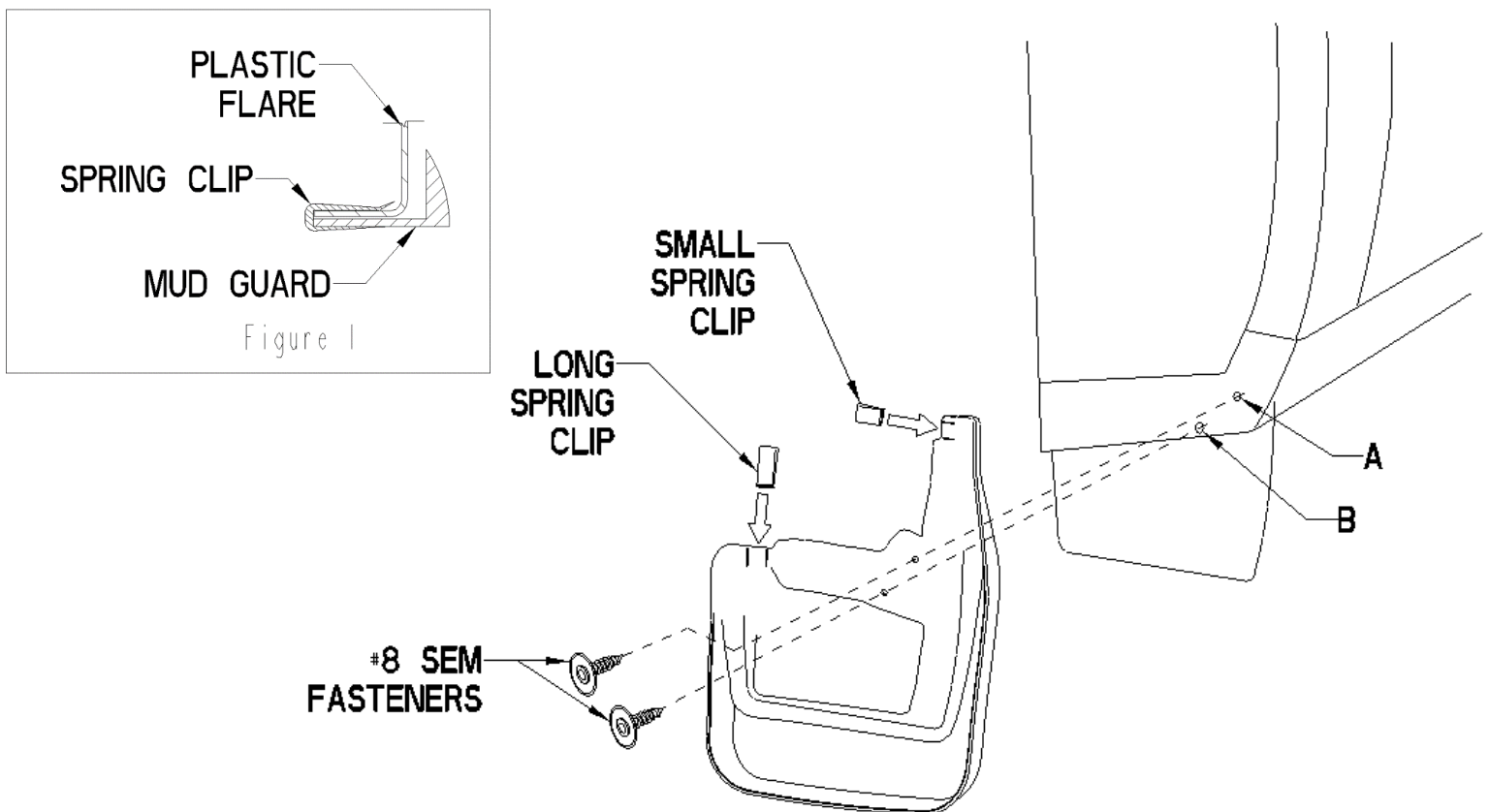
Package Contents

- Driver & passenger side front mud guards
- #8 SEM Screws (Qty 4)
- Small Spring Clip (Qty 2)
- Long Spring Clip (Qty 2)
- Instruction sheet

MUD GUARD INSTALLATION

NOTE: Turn the front wheels left or right to allow clearance for mud guard installation. It may also be necessary to remove the wheels before mud guard installation.

1. Remove and discard the existing fasteners from locations A and B.
2. Attach the mud guard with a #8 SEM screw at locations A and B.
3. Install the small spring clip between the indicator marks located at the top of the mud guard. See figure 1.
4. Install the long spring clip between the indicator marks located toward the inside of the mud guard. See figure 1
5. Check mud guard fit and alignment before final tightening.



GMC SIERRA REAR MUD GUARD - INSTALLATION INSTRUCTIONS

Please read instructions thoroughly before installation.

Tools Required

- TX 15 Torx wrench

Package Contents

- Driver & passenger side rear mud guards
- Small Spring Clip (Qty 2)
- Instruction sheet

MUD GUARD INSTALLATION

NOTE: Turn the front wheels left or right to allow clearance for mud guard installation. It may also be necessary to remove the wheels before mud guard installation.

1. Remove the existing fasteners from locations A and B. Do not discard.
2. Attach the mud guard with existing fasteners at locations A and B.
3. Install the small spring clip between the indicator marks located at the top of the mud guard. See figure 1.
4. Check mud guard fit and alignment before final tightening.

